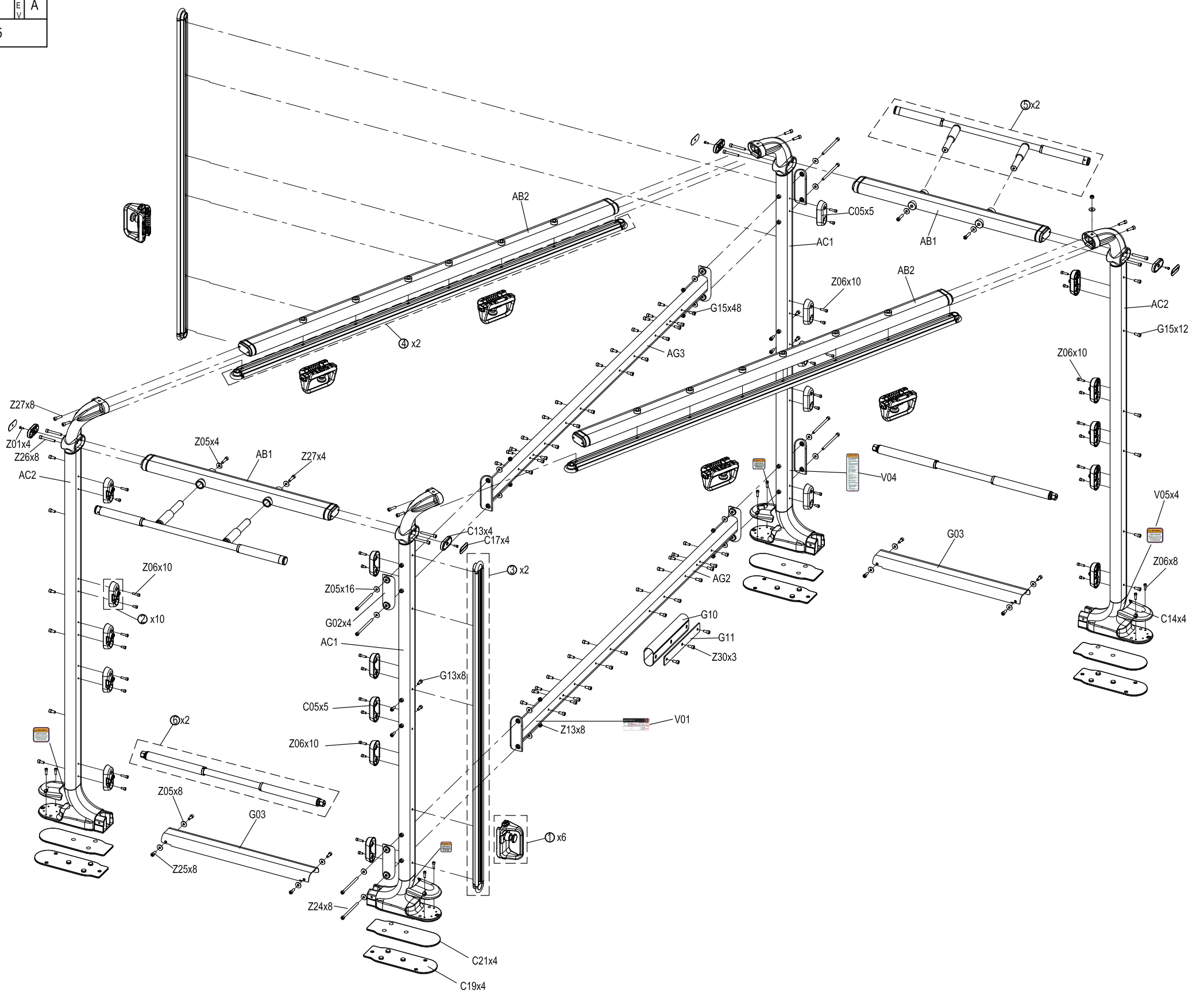
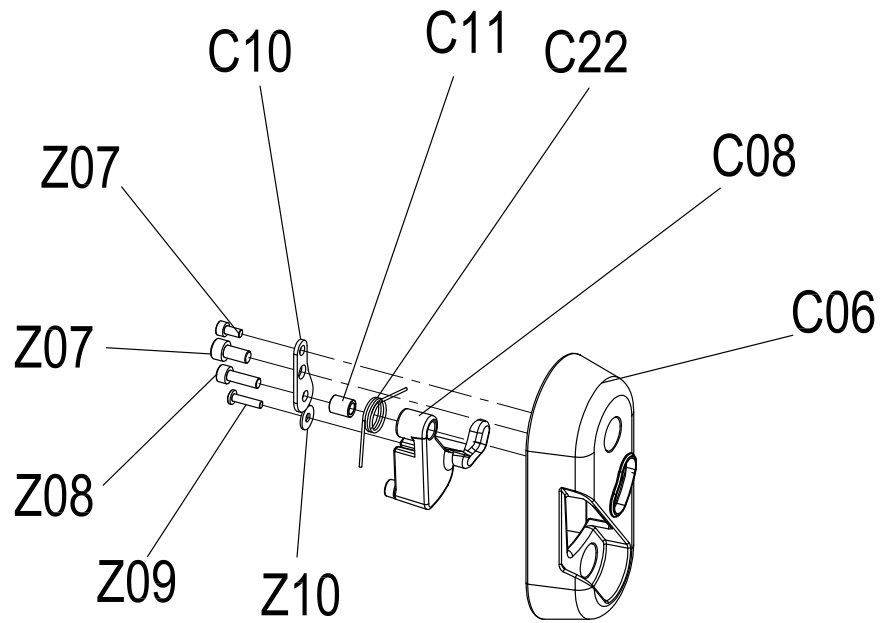


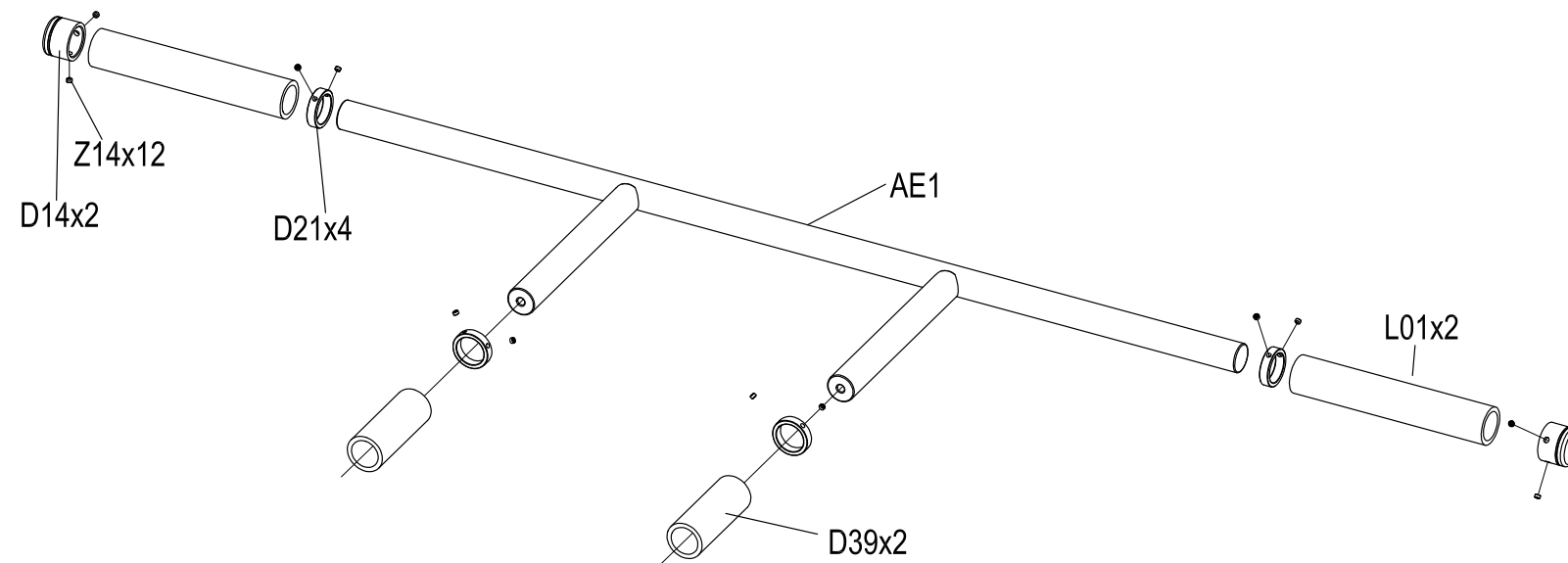
DRAWINGNO	PGT01-US		
PARTNAME	GFTFS		
PART NO	MGT0001-00	REV	A
APPROVE	Sophia	DATE	032415



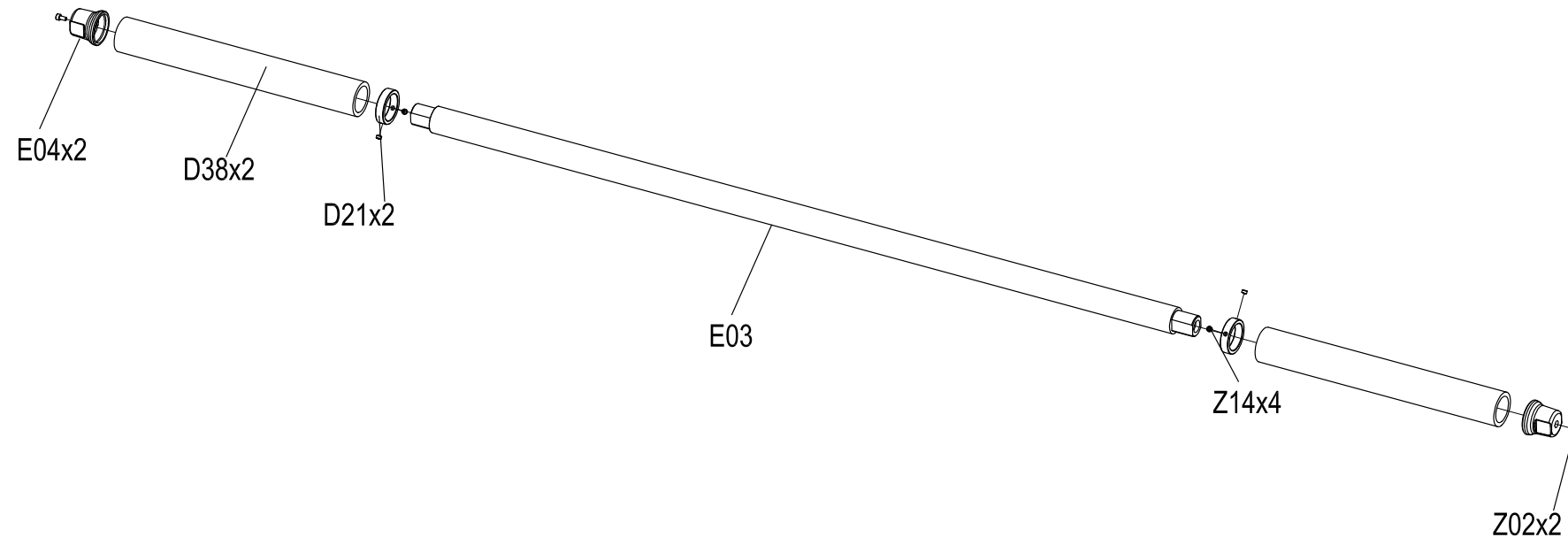
DRAWING NO			
PART NAME	Buckle Assembly;arm rest;;GT01;;		
PART NO	1000354065	REV	A
APPROVE	Sophia	DATE	032415



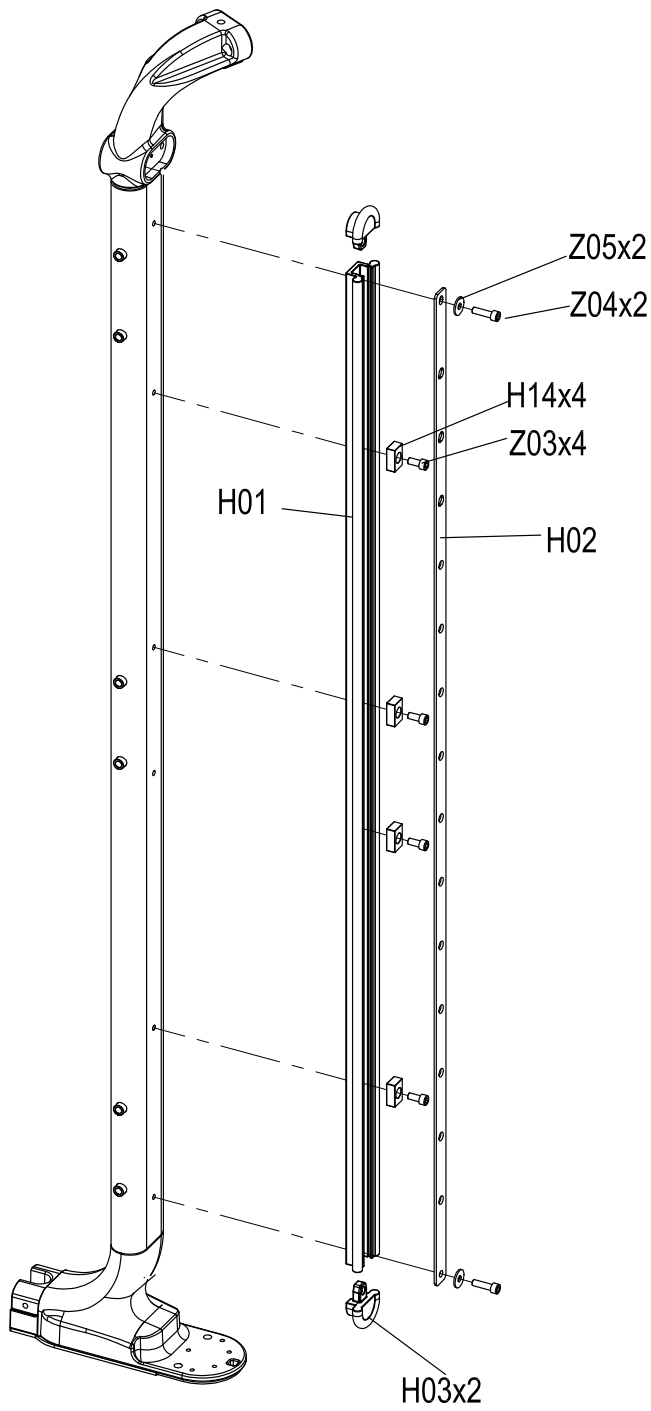
DRAWING NO			
PART NAME	Handle set;Semi-Assy;up;;;GT01;;		
PART NO	1000354096	REV	A
APPROVE	Sophia	DATE	032415



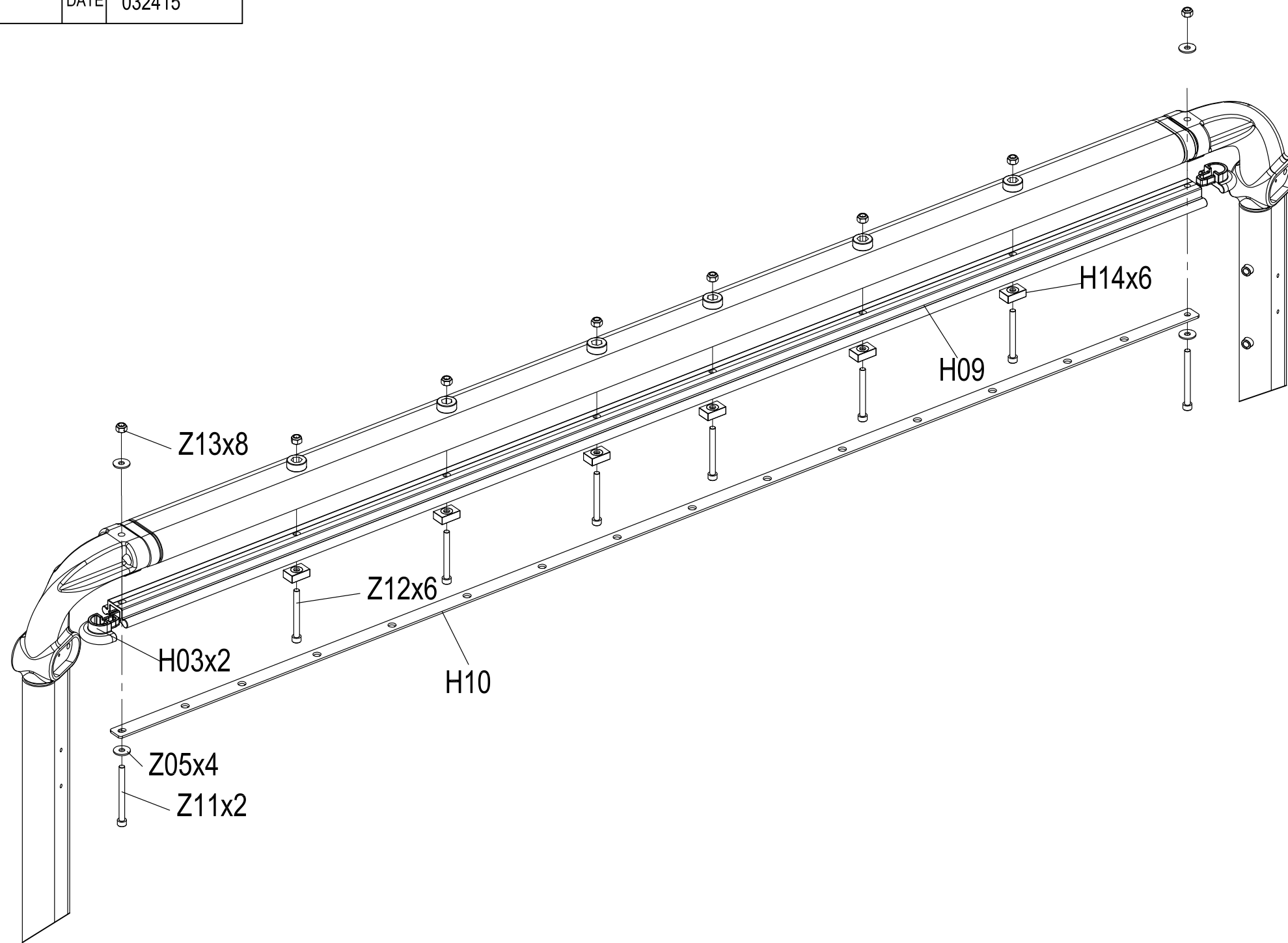
DRAWING NO			
PART NAME	Handle set;Semi-Assy;down;;;GT01;;		
PART NO	1000354101	REV	A
APPROVE	Sophia	DATE	032415



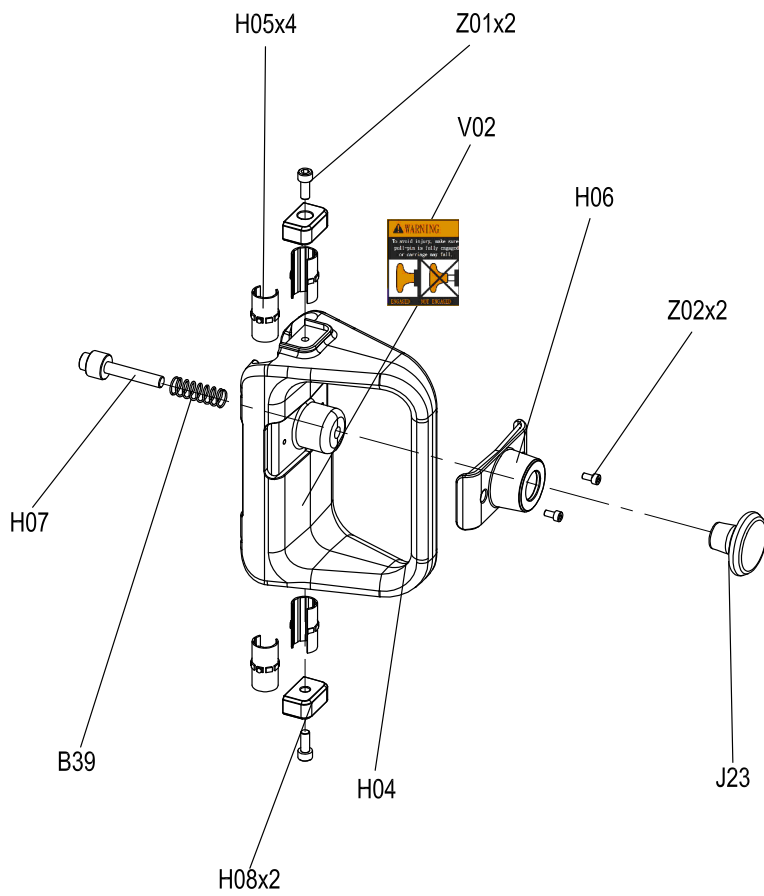
DRAWING NO			
PART NAME	ADJ Start Set;Semi-Assy;;vertical;;GT01;;		
PART NO	1000363441	REV	A
APPROVE	Sophia	DATE	032415



DRAWING NO			
PART NAME	ADJ Start Set;Semi-Assy;;horizontal;;GT01;;		
PART NO	1000363442	REV	A
APPROVE	Sophia	DATE	032415



DRAWING NO			
PART NAME	Adjustment Grip Set;Semi-Assy;;;GT01;;		
PART NO	1000363448	REV	A
APPROVE	Sophia	DATE	032415



Connexus_GFTFS_-_Free_2015

Reference Number	Part #	Description	Notes
1	1000363448	Adjustment Grip Set Semi-Assy	GT01
2	1000354065	Buckle Assembly arm rest	GT01
4	1000363442	ADJ Start Set Semi-Assy horizontal	GT0
5	1000354096	Handlebar Set Semi-Assy up	GT01
6	1000354101	Handle set Semi-Assy down	GT01
AC2	1000363526	base set 2 Painting Black Matte	GT01
AG2	1000363546	ConnectingTube D painting Black Matte	
AG3	1000363492	Connect Tube-Extrawork Black Matte	GT
B39	1000393222	Spring Compression 1.3x12.7x38Lx7 SWP	
C05	1000354061	Buckle 201g Anodizing/Sanding	
C13	1000354108	Decal Plate Base up ABS/PA757 CHM	GT01
C14	1000363554	Cover Painting Black Matte	GT01
C17	1000354109	Decal Light Silver AL	GT01
C19	1000355222	Foot Pad Base down NBR	GT01
C21	1000362703	Adjustable Plate painting Black Matte	
D14	009372-E	Cap Grip	GM02
D38	000664-AA	Foam Grip Q31.8X320L	
D39	000590-C	Foam Grip 30.4x5.0x110L	
G02	1000363542	Connect Plate Painting Black Matte	GT
G03	1000363538	ConnectingTube Painting Black Matte	G
G10	1000355258	Rubber Pad NBR BL/Black C 380x180x1.4	
G11	1000358324	Fixing Plate painting Black Matte	GT0
G13	1000307173	Plastic Cover Nut	
G15	1000362717	Cap PVC BL/Black C	GT01
H01	1000354199	Elliptical Track long 1836 AL 6063 Ano	
H02	1000354055	Pin ADJ SET SPHC t=4 CHM	GT01 vertical
H03	1000354056	Cap 130g Anodizing/Sanding	
H08	1000354060	Rubber Plate Stopper NBR Q520-7-3 MATTE	
H14	1000354168	Pad NBR BL/Black C	GT01 ROM??
J23	1000217438	Handle Pull Pin TPP Black Orange	GM59
L01	1000306748	Foam Diam.30.4X5.0TX280L Grip	FW229
Not Shown	1000356405	Hardware Set Semi-Assy	GT01
V02	1000363349	Warning Label PULL PIN 40x47	GT01
V04	1000362265	Warning Label Functional trainer cage	
V05	1000306719	Warning Label Bolt down required	
Z01	1000099212	Screw SH M6x1.0Px15L - HS - CHM - -	
Z02	1000358289	Screw Socket Head M4x0.7Px8L Hex Socket	
Z03	049256-AB	Screw Hex Socket Round M10x1.5Px20L Cr	
Z04	1000229173	Screw SH M10x x35L - HS - CHM - G12.9	
Z05	005062-00	Washer Flat 10.2x19x2.0T Chromed	
Z06	1000097206	Screw SH M8X1.25PX25L HS CHM BP	
Z07	1000104703	Screw RND M5x0.8Px10L CT HS - CHM - G8.8	
Z08	1000108801	Screw RND M5x0.8Px15L HS CHM BP G8.8	
Z09	1000098175	Screw BH Diam.X4x10L SM PH - BZN POT - B	
Z10	005024-A	Washer Flat 5.2X16.0X1.0T BZN	
Z11	1000096289	Screw SH M10x110L-15L - HS - CHM BP G12.	
Z12	1000104698	Screw RND M10x1.5Px95L HS G8.8 CHM BP	
Z13	1000105174	Nut Nylon M10x1.5P G12.9 CHM	
Z14	004855-AC	Set Screw M6X1.0PX4L	
Z24	1000309154	Screw Socket Head M10X1.5PX155L-20 Hex	
Z25	086451	Screw Hex Socket Round M10x1.5Px25L	
Z26	1000108191	Screw RND M10x1.5Px75L MT HS CST CHM BP	
Z27	004529-AD	Screw Hex Socket Round M10x1.5Px40L	
Z30	1000361721	Screw Button Head M10x1.5Px20 Hex Socke	

3 Order Components Separately ADJ Start Set Semi-Assy vertical GT01
AB1 1000363530 Frame Set 1 Painting Black Matte GT01
AB2 1000363534 Frame Set 2 Painting Black Matte GT01
AC1 1000363522 base set 1 Painting Black Matte GT01
AE1 Order Kit 5 Grip-Exreawork electroplating 31.8 GT
C06 Order Kit 2 Buckle Anodizing/Sanding
C08 Order Kit 2 Stopper Block Hook PA6+G15% P:137C GT0
C10 Order Kit 2 Attached Plate SPHC t=2 CHM GT01
C11 Order Kit 2 Swivel Axle-Exreawork Knob Cr Plate 6.
C22 Order Kit 2 Torsional Spring 1.3 65Mn Prevent-rust
D21 Order Kit 5 Stopper Ring GT01 #32x#41.6x15
E03 Order Kit 6 Grip-Exreawork down electroplating 31.
E04 Order Kit 6 Protect Sleeve POM Q520-7-3 MATTE GT0
H04 Order Kit 1 Grip Grip Anodizing/Sanding
H05 Order Kit 4 DryLin GT01 JUMO-01-16 IGUS
H06 Order Kit 1 Nut Cap ABS 746 BL/Black C GT01
H07 Order Kit 1 Pull Pin Adjustable
H09 Order Kit 4 Elliptical Track long 2389 AL 6063 Ano
H10 Order Kit 4 Pin SPHC horizontal CHM GT01
V01 1000356450 EN LABEL GT01
B39 005485-E Spring Stretch SWP Discontinued